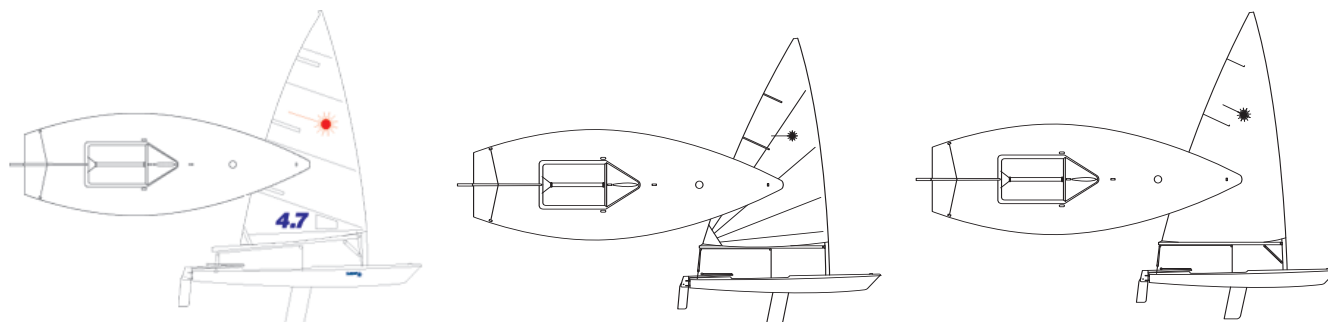


Vanguard Laser



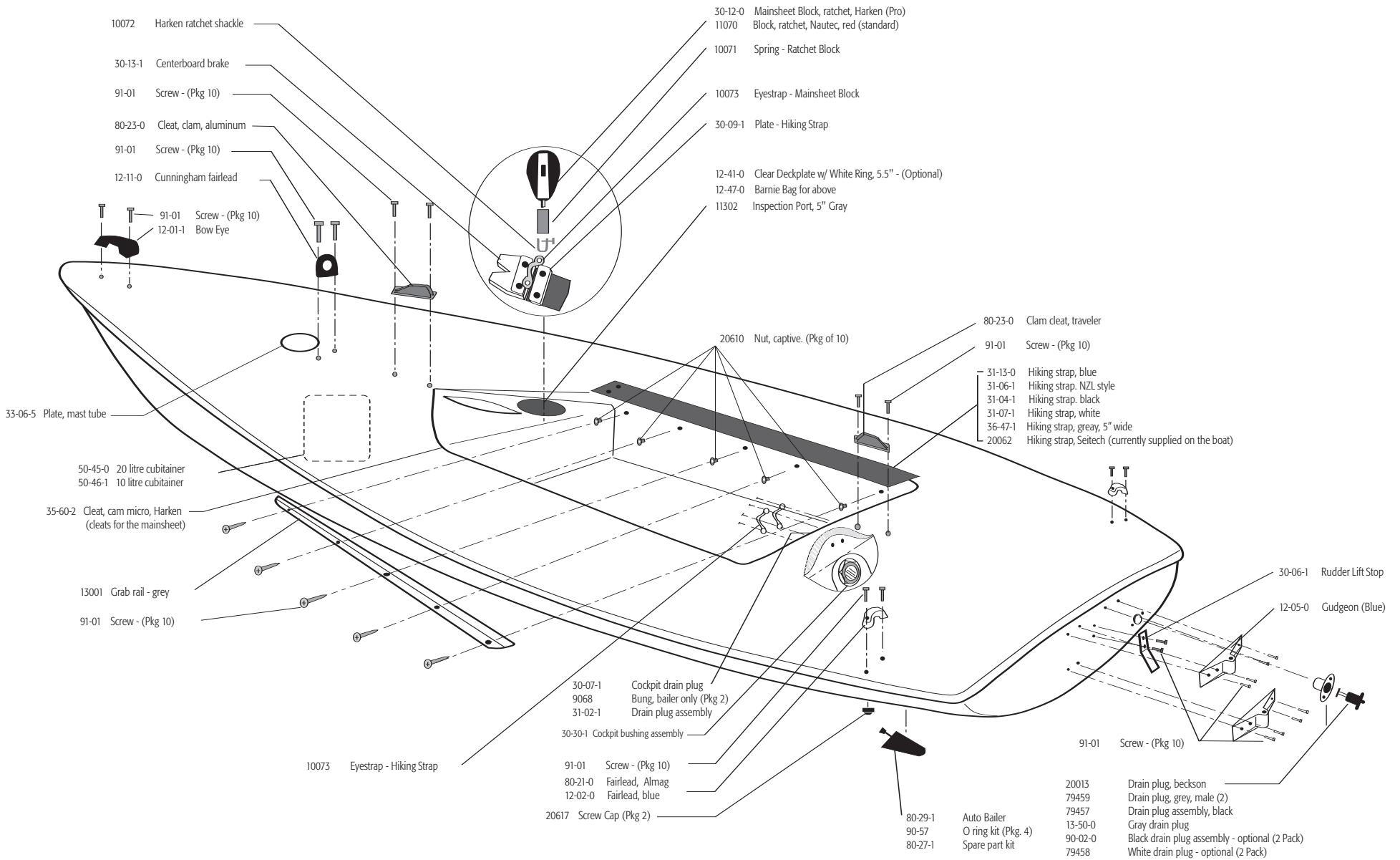
Vanguard Sailboats
300 Highpoint Avenue
Portsmouth, RI 02871
www.teamvanguard.com

**For the dealer
nearest you, call
800.966.SAIL**



Laser 4.7  **Radial**  **Laser** 

Parts Locator



VANGUARD

© 2007. All Rights reserved. Laser, Radial and Vanguard Logos are Registered Trademarks of Vanguard Sailboats

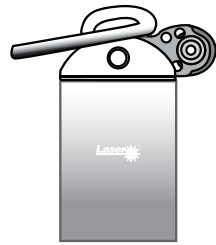
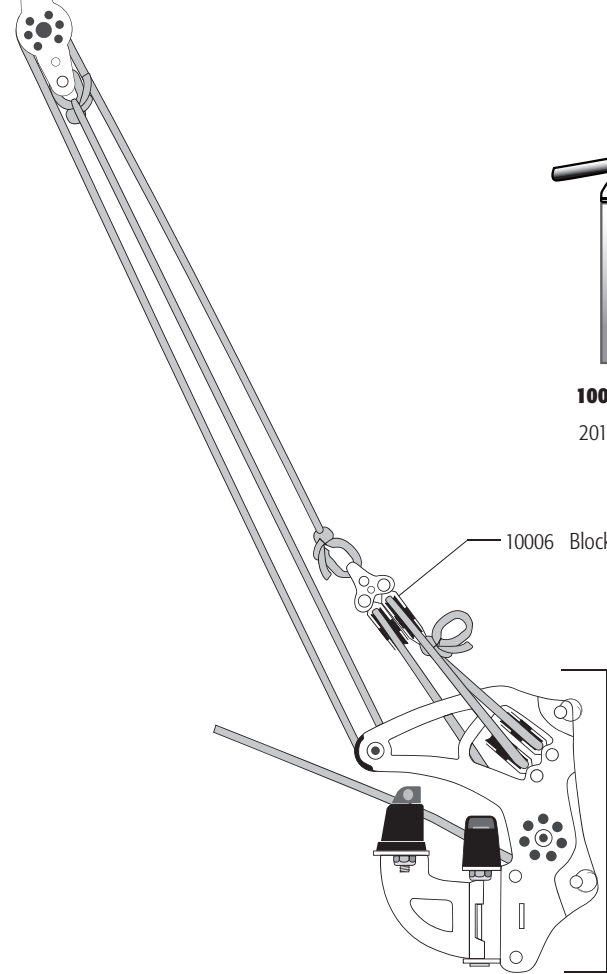
Hull & Deck Fittings (Standard)

Laser 4.7 **Radial** **Laser**

20015 Vang system, Harken

20016 Vang system, Holt Allen

- 20-24-1 Vang key, curved
- 10007 Block, vang upgrade w/becket, pin & ring



10012 Clew Sleeve

20106 Clew strap, Laser

10006 Block, vang upgrade, double w/becket

10227 Block, micro, double w/becket

35-60-2 Cleat, cam, micro, Harken

20055 Fairlead, for mini cam cleat

10005 Vang, lower block/cleat upgrade assembly

20054 Plate, cleat, w/Harken cleats

11069 Plate, cleat (no cleats included)

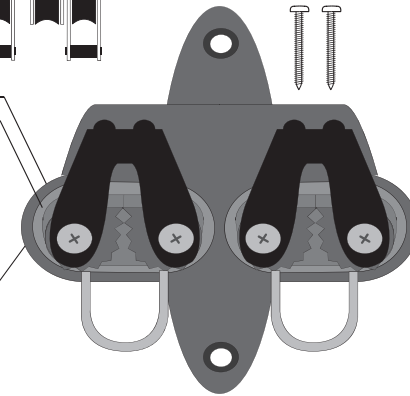
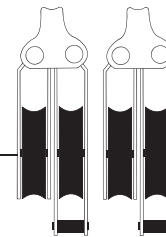
20012 Plate, cleat, w/Holt cleats

20014 Outhaul & Cunningham upgrade kit

- 20052 Block, 16mm, fork mount
- 11200 Plate, block, w/blocks, Harken
- 11066 Plate, block

10225 Block, micro, single w/becket

10224 Block, micro, single

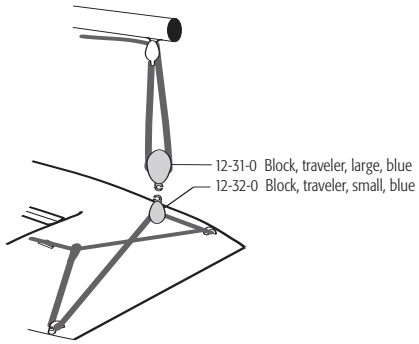


VANGUARD®

© 2007. All Rights reserved. Laser, Radial and Vanguard Logos are Registered Trademarks of Vanguard Sailboats

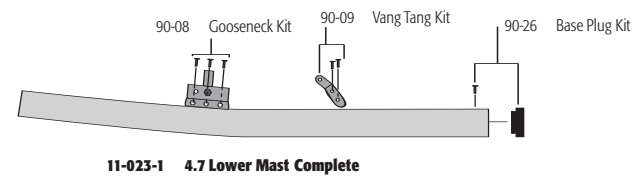
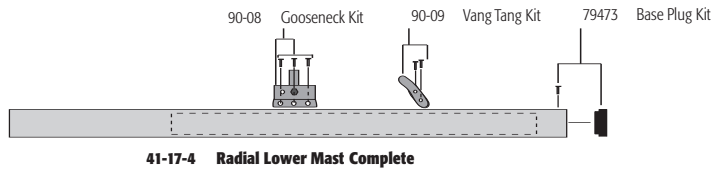
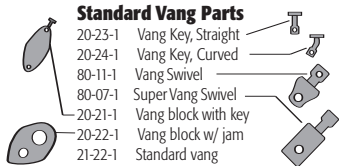
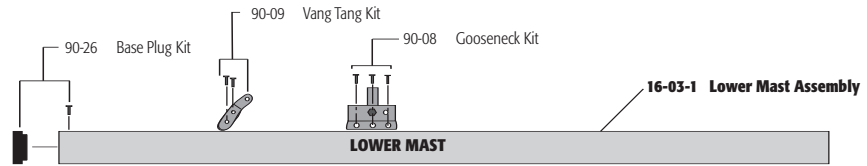
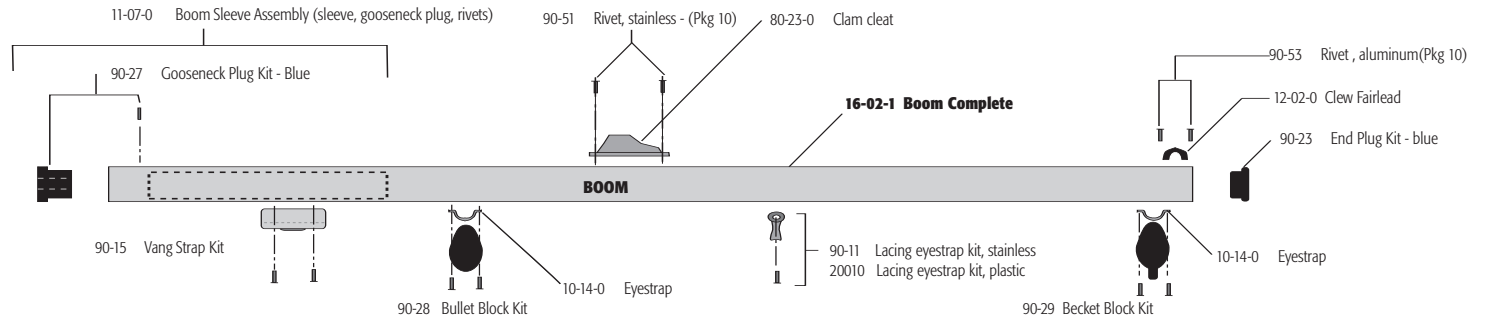
Laser Pro Fittings

Laser 4.7® Radial® Laser®



Spar and Sail Sets

- 16-08-1 Laser spar set, boxed
- 90-32 Laser lower quick pack (3)
- 90-31 Laser upper quick pack (3)
- 9067 Laser boom, quick pack (3)
- 41-12-4 Laser Radial Spar Set, boxed
- 90-33 Radial lower quick pack (3)
- 41-13-4 Radial lower, sail, battens
- 11-23-1 Laser 4.7 Spar Set, boxed
- 41-02-3 4.7 lower, sail, battens



VANGUARD

© 2007. All Rights reserved. Laser, Radial and Vanguard Logos are Registered Trademarks of Vanguard Sailboats

Spars

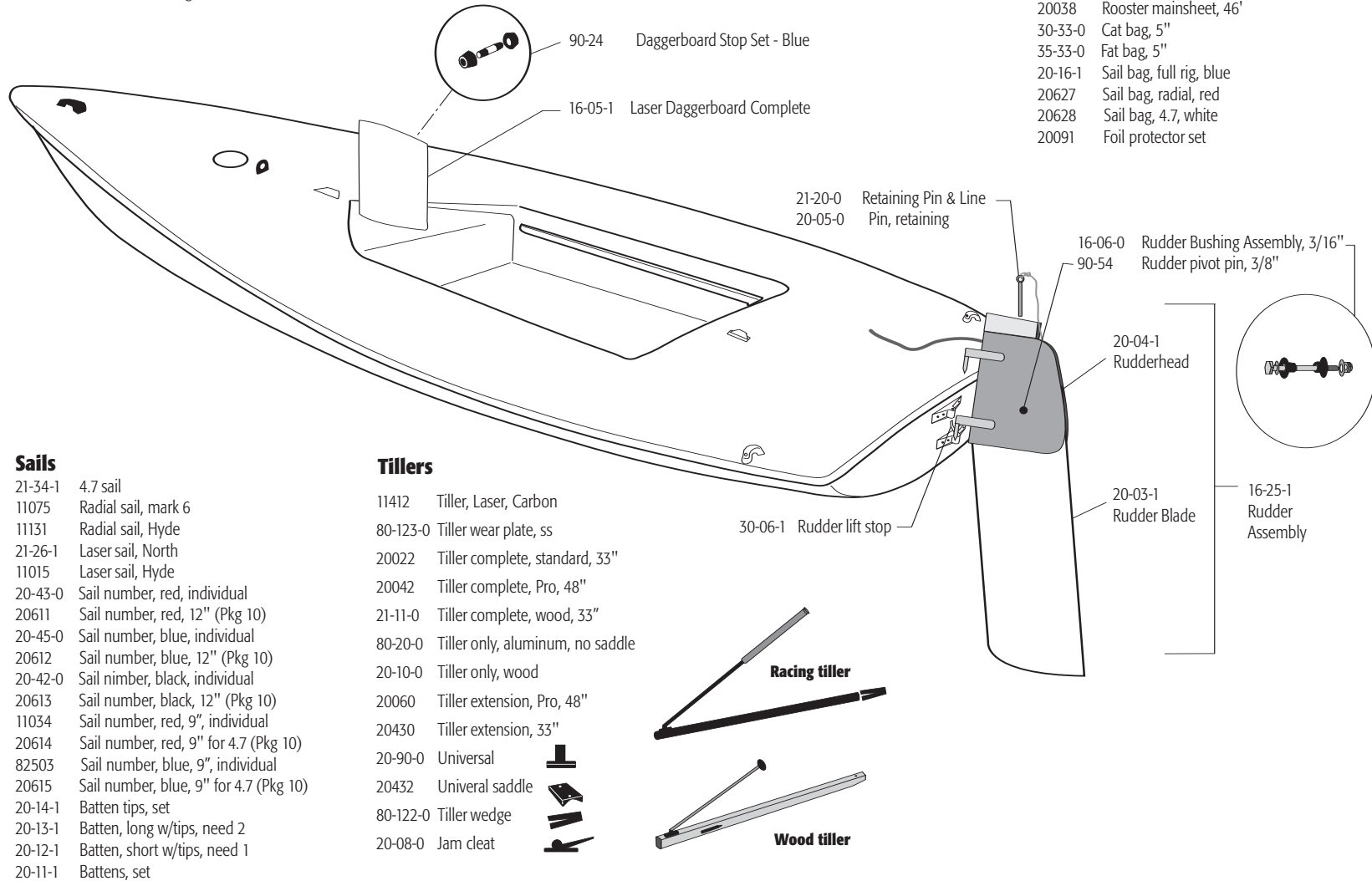
Laser 4.7 Radial Laser

Storm Covers

- 55001 Hull cover
- 55000 Deck cover
- 55016 Bag, spar, Laser
- 80-44-0 Foil bag

Accessories





- 33-06-5 Mast tube wear plate
- 80517 Kingfisher wind indicator
- 80520 Kingfisher wind indicator (K100)
- 35-60-2 Cam cleats, mini (mainsheet)
- 20038 Rooster mainsheet, 46'
- 30-33-0 Cat bag, 5"
- 35-33-0 Fat bag, 5"
- 20-16-1 Sail bag, full rig, blue
- 20627 Sail bag, radial, red
- 20628 Sail bag, 4.7, white
- 20091 Foil protector set



Sails

- 21-34-1 4.7 sail
- 11075 Radial sail, mark 6
- 11131 Radial sail, Hyde
- 21-26-1 Laser sail, North
- 11015 Laser sail, Hyde
- 20-43-0 Sail number, red, individual
- 20611 Sail number, red, 12" (Pkg 10)
- 20-45-0 Sail number, blue, individual
- 20612 Sail number, blue, 12" (Pkg 10)
- 20-42-0 Sail number, black, individual
- 20613 Sail number, black, 12" (Pkg 10)
- 11034 Sail number, red, 9", individual
- 20614 Sail number, red, 9" for 4.7 (Pkg 10)
- 82503 Sail number, blue, 9", individual
- 20615 Sail number, blue, 9" for 4.7 (Pkg 10)
- 20-14-1 Batten tips, set
- 20-13-1 Batten, long w/tips, need 2
- 20-12-1 Batten, short w/tips, need 1
- 20-11-1 Battens, set

Tillers

- 11412 Tiller, Laser, Carbon
- 80-123-0 Tiller wear plate, ss
- 20022 Tiller complete, standard, 33"
- 20042 Tiller complete, Pro, 48"
- 21-11-0 Tiller complete, wood, 33"
- 80-20-0 Tiller only, aluminum, no saddle
- 20-10-0 Tiller only, wood
- 20060 Tiller extension, Pro, 48"
- 20430 Tiller extension, 33"
- 20-90-0 Universal 
- 20432 Universal saddle 
- 80-122-0 Tiller wedge 
- 20-08-0 Jam cleat 



VANGUARD[®]

© 2007. All Rights reserved. Laser, Radial and Vanguard Logos are Registered Trademarks of Vanguard Sailboats

Blades, Sails & Accessories

Laser 4.7  **Radial**  **Laser** 